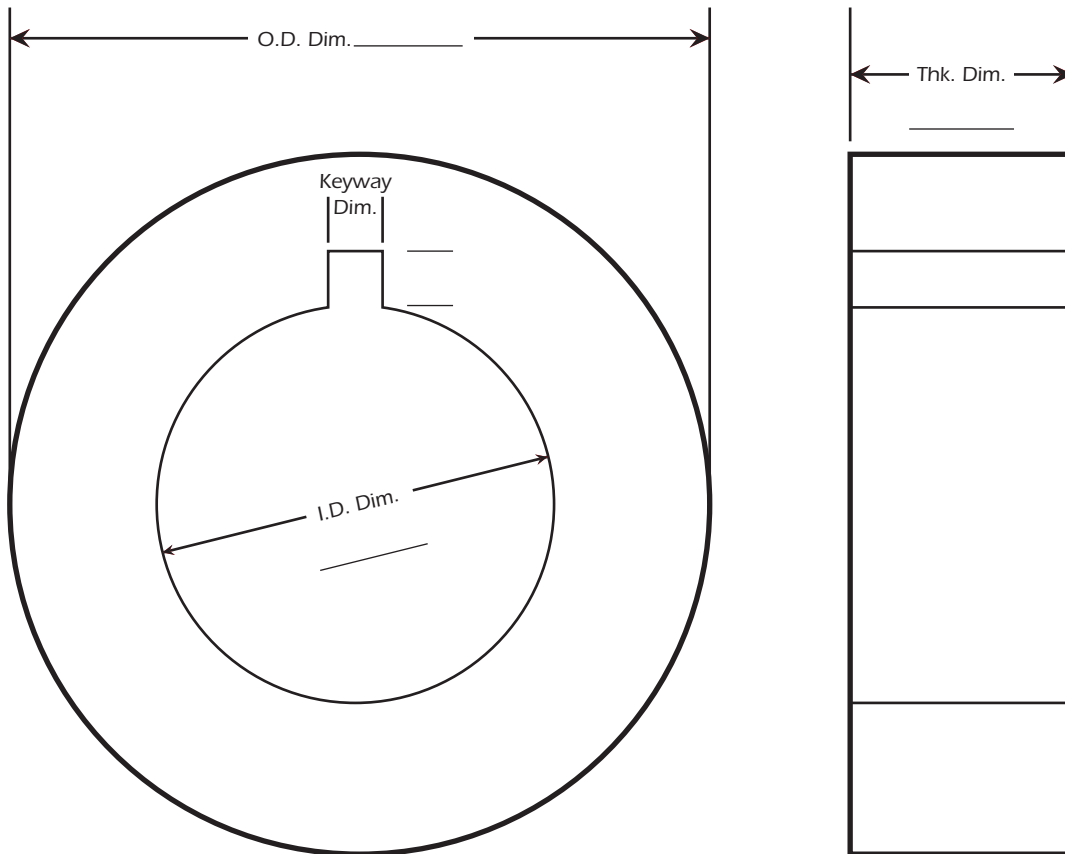


Metal Working Slitter Specification Worksheet

- Type of material being slit _____
- Gauge (thickness) of material _____
- Name of equipment _____



Applefelt Industrial Knife Quote

Please fill in the following values so we can process your quote in a timely manner.
Thank you for the opportunity to quote.

Make & Model of equipment being used:

Outer diameter of blade:
(Please fill in attached drawing)

Inner diameter of blade:
(Please fill in attached drawing)

Thickness of blade:
(Please fill in attached drawing)

Single or double bevel on blade:

Diameter of key way if applicable:
(Please fill in attached drawing)

Estimated Quantity of blades: